



SPECIFICATIONS

4069LE

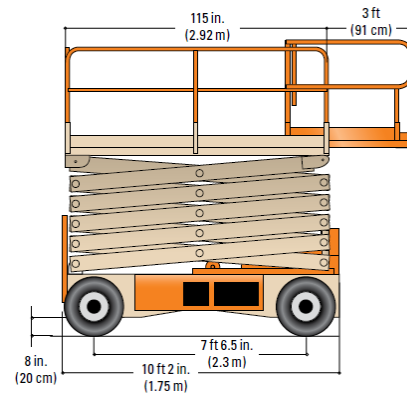
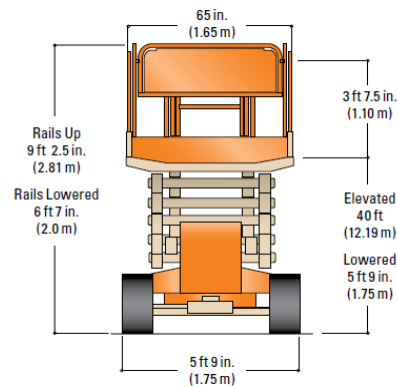
Electric Scissor Lift

Key Specs

- Machine Width: 5 ft 9 in. / 1.75 m
- Platform Capacity: 800 lb / 362.87 kg
- Platform Height: 40 ft / 12.19 m

Key Features

- Superior performance on or off slab
- Rugged terrain tires take you anywhere you want to go
- With optional hydraulic leveling jacks, uneven terrain is no problem
- Double the duty cycle of other scissor lifts so you can stay on the job longer



Power Source

| | |
|-----------|----------------------|
| Batteries | 8 x 6V, 370 amp-hr |
| Charger | 21 Amp Automatic SCR |

General

| | |
|--------------------------------|-----------------------------------|
| Brakes | Spring Applied Hyd Released Discs |
| Capacity - Hydraulic Reservoir | 8 gal. / 32.18 L |
| Ground Bearing Pressure | 61 psi / 4.27 Kg/cm ² |
| Hydraulic Pump | Single Section Gear Pump |
| Machine Weight | 10560 lb / 4789.94 kg |



SPECIFICATIONS

Performance

| | |
|---------------------------------|----------------------|
| Drive Speed - Platform Elevated | 0 mph / 0.64 km/h |
| Drive Speed - Platform Lowered | 3 mph / 4.83 km/h |
| Gradeability - 2WD | 35 % |
| Gradeability - 4WD | 45 % |
| Lift Time | 54 sec. |
| Lower Time | 50 sec. |
| Maximum Drive Height | 30 ft / 9.14 m |
| Maximum Lift Height | 40 ft / 12.19 m |
| Outriggers or Stabilizers | No |
| Platform Capacity | 800 lb / 362.87 kg |
| Platform Capacity - Extension | 250 lb / 113.40 kg |
| Turning Radius - Outside | 15 ft 6 in. / 4.72 m |

Dimensional Data

| | |
|-------------------------------|---------------------------|
| Ground Clearance | 8 in. / 0.2 m |
| Machine Height | 9 ft 2 in. / 2.81 m |
| Machine Height - Rails Folded | 6 ft 7 in. / 2.01 m |
| Machine Length | 10 ft 4 in. / 3.15 m |
| Machine Width | 5 ft 9 in. / 1.75 m |
| Platform Dimension A | 9 ft 7 in. / 2.92 m |
| Platform Dimension B | 5 ft 5 in. / 1.65 m |
| Platform Extension Length | 3 ft / 0.91 m |
| Platform Height | 40 ft / 12.19 m |
| Platform Height - Lowered | 5 ft 9 in. / 1.75 m |
| Platform Railing Height | 3 ft 8 in. / 1.1 m |
| Tire Size | 240/55 x 17.5 Non-Marking |
| Wheelbase | 7 ft 6 in. / 2.3 m |

Reach Specifications

| | |
|-----------------|-----------------|
| Platform Height | 40 ft / 12.19 m |
| Working Height | 46 ft / 14.02 m |